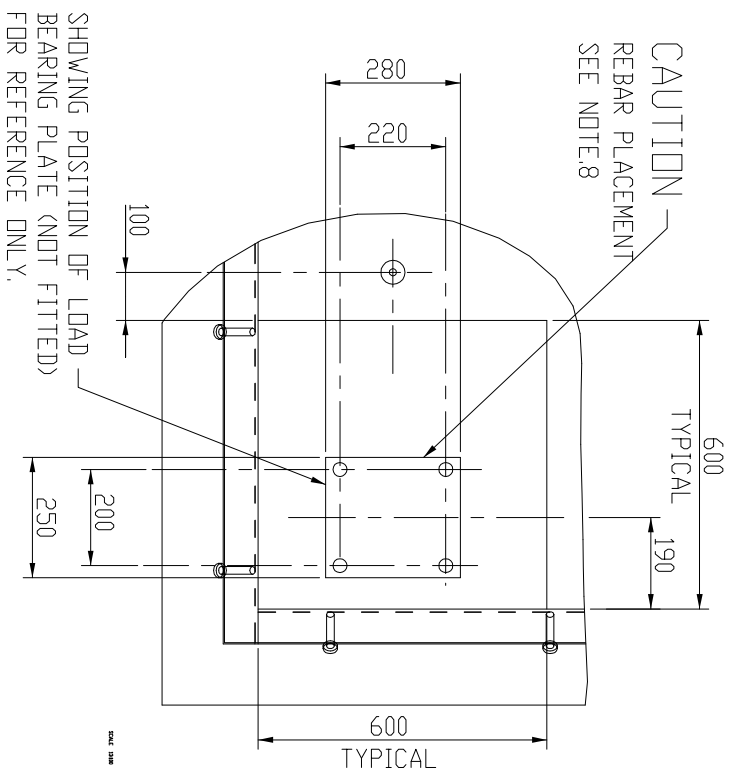
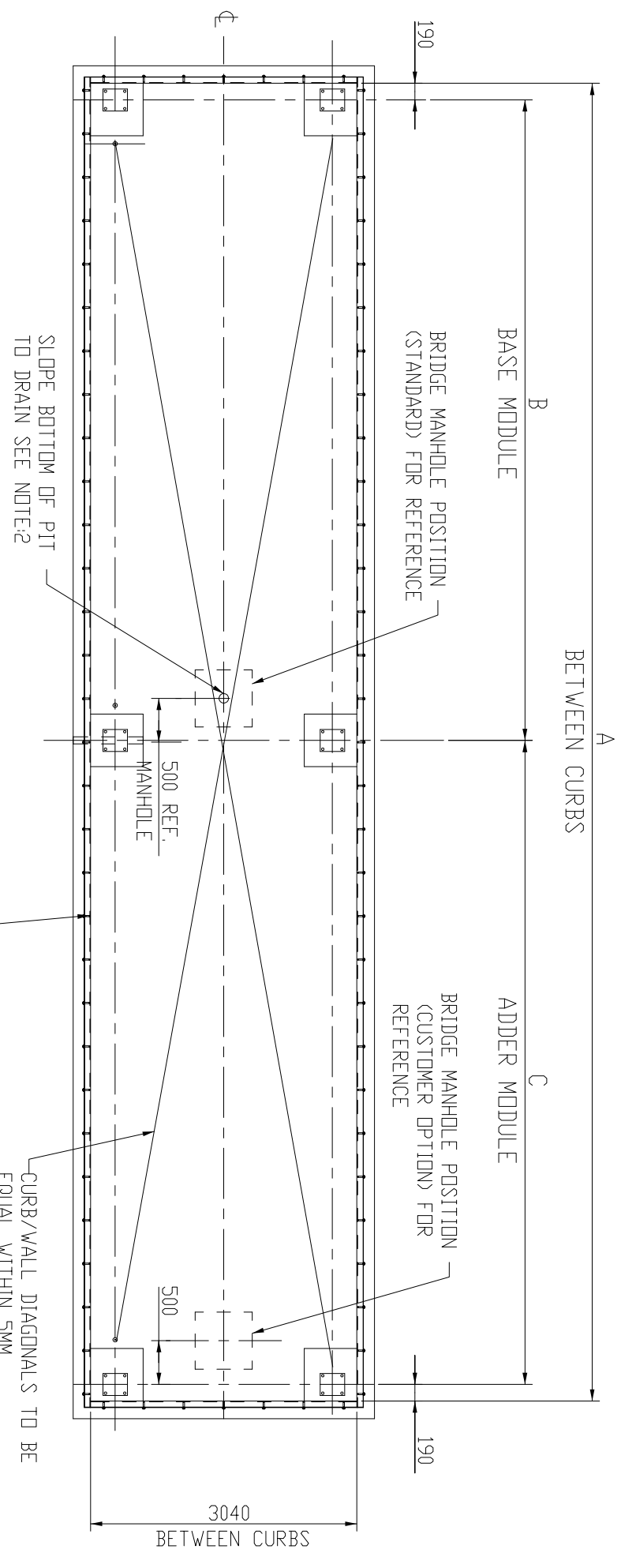


PIER HEIGHT TABLE
 APPLICABLE WITH STANDARD OR 'EXTRA HEIGHT' PIN SUPPORTS
 CHECK HEIGHT AGAINST CUSTOMER ORDER

DIM 'H'	DESCRIPTION
355	STANDARD CLEARANCE
455	EXTRA 100MM CLEARANCE
505	EXTRA 150MM CLEARANCE



GENERAL INFORMATION:-
 1. CUSTOMER TO DESIGN AND SUPPLY FOUNDATIONS TO SUIT SITE CONDITIONS AND LOADS AT LOAD BEARING PLATE POSITIONS.
 2. DRAIN AS SHOWN IS SUITABLE FOR CLEAN SITES ONLY, WHERE SOIL/SPILLAGE IS LIKELY EXTRA PROVISION WILL BE REQUIRED, AVOID RAINWATER FROM SURROUNDING GROUND DRAINING INTO PIT.
 3. CONTRACTORS TO MAKE GOOD SURROUNDING GROUND.
 4. PLEASE NOTE THAT THE WEIGHT BRIDGE AND FOUNDATIONS ARE NOT SUITABLE FOR EARTHING OF INDUSTRIAL APPLIANCES (e.g. WELDING EQUIPMENT) AND UNDER NO CIRCUMSTANCES SHOULD EITHER BE USED FOR THIS PURPOSE.
 5. IT IS RECOMMENDED THAT THE CEMENT FOR THE FOUNDATIONS SHOULD NOT BE LESS THAN 25N/mm²
 6. SAFETY OF DRIVER WHEN DISMOUNTING FROM BRIDGE TO BE CONSIDERED.
 7. CUSTOMER TO PROVIDE ROUTE FOR INTERCONNECTION CABLE TO OFFICE FROM POSITION SHOWN
 8. ON BRIDGE INSTALLATION 28MM DIA. FIXING HOLES WILL BE DRILLED TO A DEPTH OF 220MM IN THE CONCRETE AT THE CENTRES SHOWN IT IS IMPORTANT THAT THE REINFORCEMENT BE POSITIONED AWAY FROM THESE HOLES. 300mm MIN. DEPTH OF CONCRETE REQUIRED FOR ANCHOR FIXINGS.
 9. EARTHING ROD TO BE Ø15 COPPER DR ZINC PLATED STEEL.

LOADS AT LOAD BEARING PLATES.
 LOADS WILL BE APPLIED 150MM, ABOVE FOUNDATION SURFACE.
 23 TONNE DOWNWARDS
 10 TONNE, HORIZONTAL - LONGITUDINAL.
 5 TONNE, HORIZONTAL - LATERAL

BRIDGE LENGTH	DIM 'A'	DIM 'B'	DIM 'C'
12 METRE	12040	5810	5850
13.5 METRE	13540	7310	5850
15 METRE	15040	7310	7350
16 METRE	16040	7810	7850
16.5 METRE	16540	8810	7350
18 METRE	18040	8810	8850